



PACK omni mini

LED Downlights made easy and simple – the PACK omni mini opens up great opportunities for the small step to energy efficiency, light quality and flexibility. Next to fixed and adjustable luminaires, this compact line-up is rounded off with different colour temperatures and beam angles. Replacing up to 1 x 18 W conventional downlights and offering a replaceable light source, the PACK omni mini is the easy and future-proof choice for energy saving in many applications.

Application:

- + Ideal for side areas and corridors in diverse applications
- + Very attractive for hotel and lounge areas with warm white (2700 K) and also adjustable versions
- + Easy to replace conventional downlights with common ceiling cut-out of 150 mm

Product details

- + Downlight with Toshiba E-CORE GX53 lamp
 - + Future-proof solution through replaceable light source
 - + Fixed and adjustable versions for maximum flexibility
- + Very efficient, up to 78 lm/W
 - + Replacement of 1 x 13 W and 1 x 18 W compact fluorescent lamps
 - + For 150 mm ceiling cut-outs
 - + Switchable only



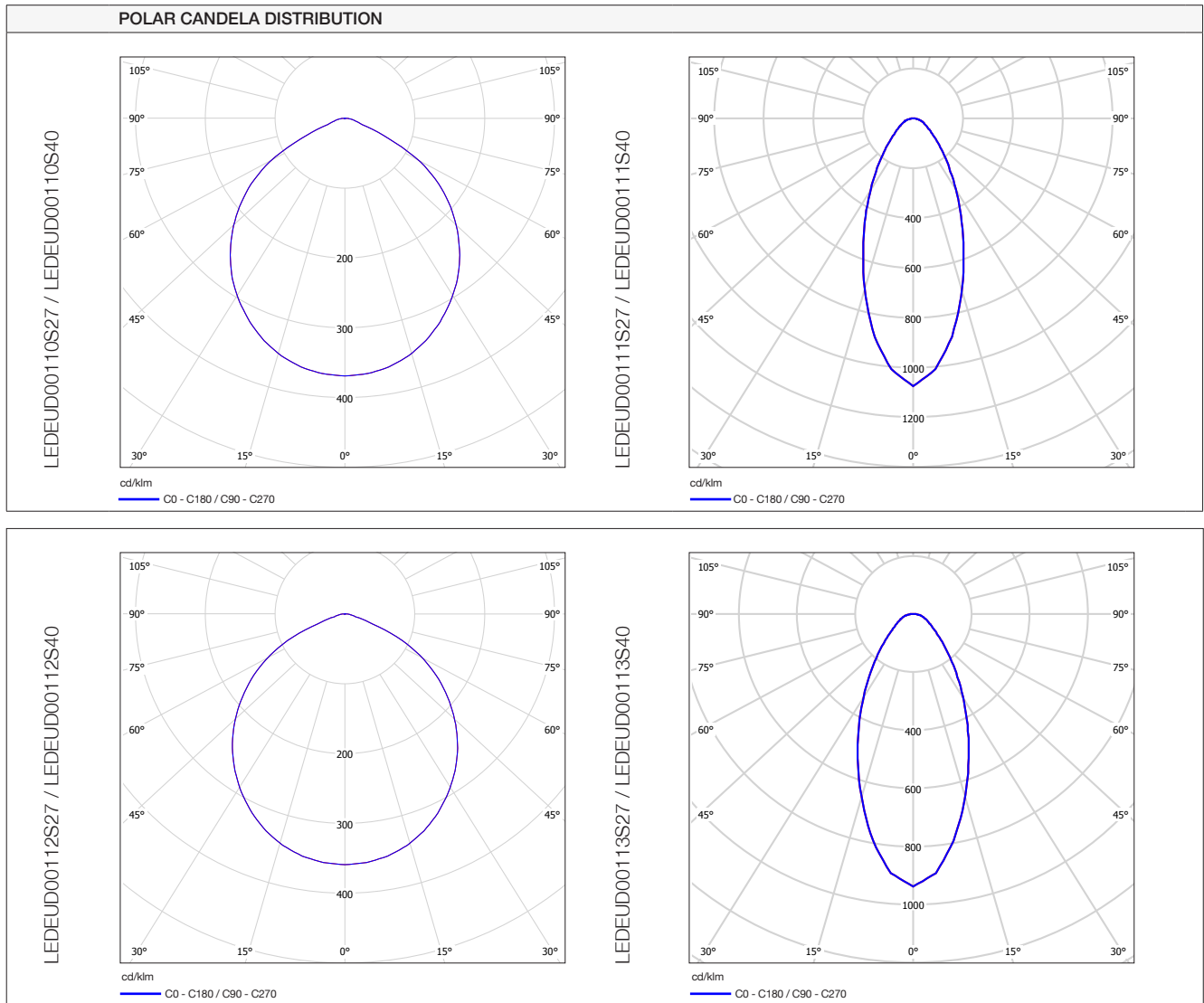
Optical parameters

MODEL NAME	PACK omni mini / 6.9 W			
Product code	LEDEUD00110S27	LEDEUD00110S40	LEDEUD00111S27	LEDEUD00111S40
Beam angle	104°	104°	44°	44°
Colour description	Warm white	Neutral white	Warm white	Neutral white
Colour temperature	2700 K	4000 K	2700 K	4000 K
Luminous flux (nominal)	445 lm	480 lm	480 lm	515 lm
System efficacy	64 lm/W	69 lm/W	69 lm/W	74 lm/W
Colour rendering index	Ra 80	Ra 80	Ra 80	Ra 80
UGR	≤ 22	≤ 22	≤ 19	≤ 19
Adjustable	No	No	Yes	Yes

MODEL NAME	PACK omni mini / 8.9 W			
Product code	LEDEUD00112S27	LEDEUD00112S40	LEDEUD00113S27	LEDEUD00113S40
Beam angle	105°	105°	48°	48°
Colour description	Warm white	Neutral white	Warm white	Neutral white
Colour temperature	2700 K	4000 K	2700 K	4000 K
Luminous flux (nominal)	615 lm	660 lm	650 lm	695 lm
System efficacy	69 lm/W	74 lm/W	73 lm/W	78 lm/W
Colour rendering index (Ra)	Ra 80	Ra 80	Ra 80	Ra 80
UGR	≤ 25	≤ 25	≤ 22	≤ 22
Adjustable	No	No	Yes	Yes

Fixed/adjustable luminaires and LED lamps are also available separately for individual lamping (for more information please see logistic data).

Optical parameters



Electrical parameters

MODEL NAME	PACK omni mini
Rated wattage	6.9 W / 8.9 W
System efficacy	up to 78 lm/W
Rated voltage	220-240 V
Frequency	50/60 Hz
Power factor	0.55
Rated lifetime	25,000 h
Lumen maintenance	70 % at the rated lifetime
Connection	3 x (0.5 - 1.5) mm ²
Cap	GX53-1
Dimmable	No

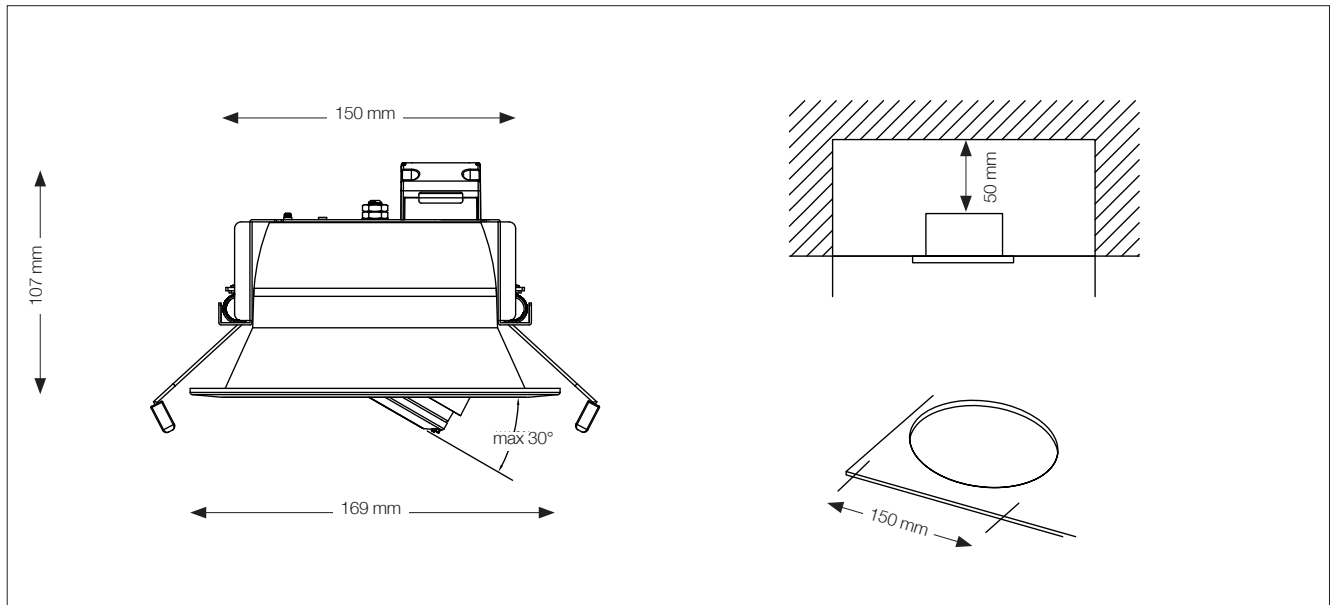
Mechanical parameters

MODEL NAME	PACK omni mini
Material	Aluminium
Colour	White
Type of installation	Ceiling recessed
Swiveling angle (adjustable versions)	30°
Electrical class	I
IP rating	IP20
LED module	Replaceable
Glow wire temperature	650 °C
Approval mark	CE, ENEC
Operation temperature	+5 °C - +35 °C
Dimension (D x H)	169 x 107 mm
Ceiling cut-out	150 mm
Recession depth	153 mm
Ceiling thickness	1 - 25 mm

MODEL NAME	PACK omni mini			
Product code	LEDEUD00110S27 / LEDEUD00110S40	LEDEUD00111S27 / LEDEUD00111S40	LEDEUD00112S27 / LEDEUD00112S40	LEDEUD00113S27 / LEDEUD00113S40
Net weight	390 g	520 g	430 g	560 g

MODEL NAME	PACK omni mini fixtures w/o LED lamp	
Product code	LEDEUD00126C	LEDEUD00127C
Net weight	240 g	370 g

Drawings



Logistic data

PRODUCT CODE	EAN CODE	DESCRIPTION	SIZE OF PACKAGING (mm) L x H x W	GROSS WEIGHT (g)
LEDEUD00110S27	4974550454629	PACK omni mini 6.9 W / 2700 K / 104° / FIX	242 x 212 x 121	650
LEDEUD00110S40	4974550454636	PACK omni mini 6.9 W / 4000 K / 104° / FIX	242 x 212 x 121	650
LEDEUD00111S27	4974550454643	PACK omni mini 6.9 W / 2700 K / 44° / ADJ	242 x 212 x 121	780
LEDEUD00111S40	4974550454650	PACK omni mini 6.9 W / 4000 K / 44° / ADJ	242 x 212 x 121	780
LEDEUD00112S27	4974550454667	PACK omni mini 8.9 W / 2700 K / 105° / FIX	242 x 212 x 121	690
LEDEUD00112S40	4974550454674	PACK omni mini 8.9 W / 4000 K / 105° / FIX	242 x 212 x 121	690
LEDEUD00113S27	4974550454681	PACK omni mini 8.9 W / 2700 K / 48° / ADJ	242 x 212 x 121	820
LEDEUD00113S40	4974550454698	PACK omni mini 8.9 W / 4000 K / 48° / ADJ	242 x 212 x 121	820

Fixtures w/o LED lamp

PRODUCT CODE	EAN CODE	DESCRIPTION	SIZE OF PACKAGING (mm) L x H x W	GROSS WEIGHT (g)
LEDEUD00126C	4974550454049	PACK omni mini GX53-1 / FIX	242 x 212 x 121	500
LEDEUD00127C	4974550454056	PACK omni mini GX53-1 / ADJ	242 x 212 x 121	630

Logistic data

LED lamps

PRODUCT CODE	EAN CODE	DESCRIPTION	SIZE OF PACKAGING (mm) L x H x W	GROSS WEIGHT (g)
LEFC727WX5EU	4974550447560	Lamp E-CORE GX53-1 6.9 W / 2700 K / 100°	102 x 102 x 58	178
LEFC740WX5EU	4974550447577	Lamp E-CORE GX53-1 6.9 W / 4000 K / 100°	102 x 102 x 58	178
LEFC727MX5EU	4974550447584	Lamp E-CORE GX53-1 6.9 W / 2700 K / 40°	102 x 102 x 58	178
LEFC740MX5EU	4974550447591	Lamp E-CORE GX53-1 6.9 W / 4000 K / 40°	102 x 102 x 58	178
LEFC927WX5EU	4974550447607	Lamp E-CORE GX53-1 8.9 W / 2700 K / 100°	102 x 102 x 58	218
LEFC940WX5EU	4974550447614	Lamp E-CORE GX53-1 8.9 W / 4000 K / 100°	102 x 102 x 58	218
LEFC927MX5EU	4974550447621	Lamp E-CORE GX53-1 8.9 W / 2700 K / 40°	102 x 102 x 58	218
LEFC940MX5EU	4974550447638	Lamp E-CORE GX53-1 8.9 W / 4000 K / 40°	102 x 102 x 58	218

Handling and safety information

- + Do not cover the lamp with paper, cloth or other easily flammable materials
- + Do not expose the lamp to water or high humidity
- + Avoid additional mechanical stress on the lamp
- + Do not touch the lamp during or shortly after usage. Risk of burn!
- + Ambient temperature range: +5 °C to +35 °C
- + Do not look directly into the lamp
- + Do not spray pesticide on this lamp
- + Please ensure the mains power is disconnected before undertaking any work on the luminaire or lamp

www.toshiba.eu/lighting