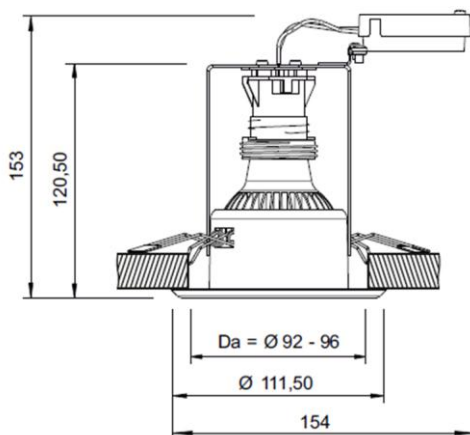


The pack accent PAR20 line up provides you with a low luminance easy-to-fit solution, for decorative and architectural lighting. Equipped with an E-CORE retrofit PAR20 lamp (9W), this spot light greatly reduces investment risk tackling demand for flexibility in the lighting design field. With the benefits of LED lighting, the Pack Accent PAR20 offers reliable lighting solution along with low-carbon footprint and minimum environmental impact.

A. TECHNICAL INFORMATION

1. Common features

Body	Steel
Finishing	White, Silver, Black
Reflector type	Reflector included into the lamp
Fixing of the lamp	E27
Adjustable	No
Lighting outlet	1
Type of installation	Recessed, with 2 spring clips on the false ceiling
Mounting Diameter	92-96mm (DA)
Net weight	415 g
Life (L70)	40'000 hours
IP/IK rating	IP20/ IK03
LED module	Changeable
Approval Mark	CE
Ambient Temp. Range	+5°C / +35°C



2. General Lighting

a. Electrical features / Control

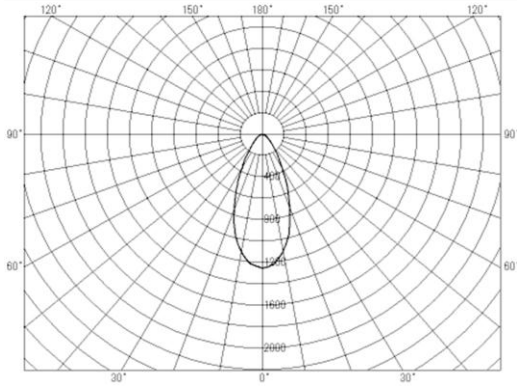
Model Name	LEDEUD00015S27/LEDEUD00015S40 LEDEUD00016S27/LEDEUD00016S40 LEDEUD00017S27/LEDEUD00017S40
Rated Voltage (V)	220-240
Rated Wattage (W)	9.0W
Frequency (Hz)	50/60
Power Factor	> 0.9
Dimming*	Yes (phase control)

*For details on compatibility with dimmers, please check <http://www-toshibe.es/newlighting/eu/>

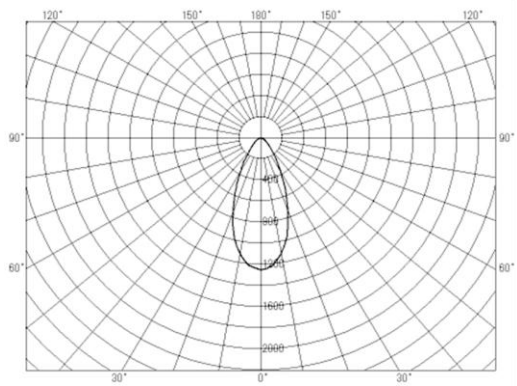
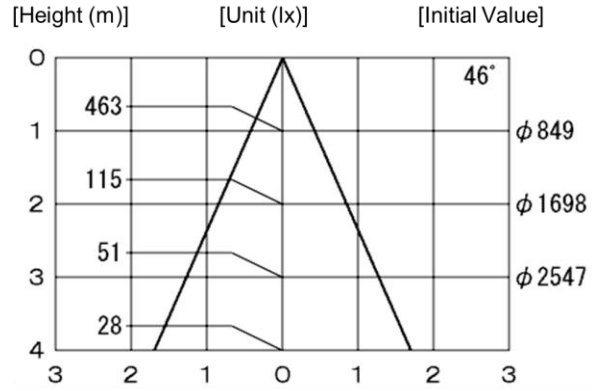
b. Optical features

Model Name	LEDEUD00015S27	LEDEUD00016S27	LEDEUD00017S27
Lamp Model Name	LDRC0927WE7EUD	LDRC0927WE7EUD	LDRC0927WE7EUD
EAN code	4974550438261	4974550438278	4974550438285
Trim Color	WHITE	BLACK	SILVER
Rated Voltage (V)	220-240	220-240	220-240
Rated Wattage (W)	9,0	9,0	9,0
Frequency (Hz)	50 / 60	50 / 60	50 / 60
Rated Input Current (mA)	49	49	49
Power Factor	0,80	0,80	0,80
Luminous Flux(lm)	(357)	(338)	(353)
Colour Description	Warm White	Warm White	Warm White
Colour Temperature (K)	2700	2700	2700
Colour Rendering Index (Ra)	80	80	80
Beam Angle (°)	40	40	40
CBCP (cd)	475	475	475
Lamp Efficacy (lm / W)	(39,7)	(37,6)	(39,2)
Rated Lamp Lifetime (h)	40 000	40 000	40 000
Lumen Maintenance	70% at the rated lamp lifetime	70% at the rated lamp lifetime	70% at the rated lamp lifetime
Number of Switching Cycle	over 20000 times	over 20000 times	over 20000 times
Dimming	Dimmable*	Dimmable*	Dimmable*
Cap	E27	E27	E27

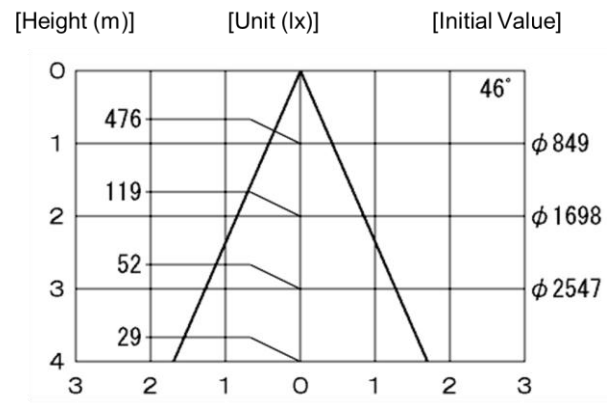
Model Name	LEDEUD00015S40	LEDEUD00016S40	LEDEUD00017S40
Lamp Model Name	LDRC0940WE7EUD	LDRC0940WE7EUD	LDRC0940WE7EUD
EAN code	4974550433549	4974550433563	4974550433570
Trim Color	WHITE	BLACK	SILVER
Rated Voltage (V)	220-240	220-240	220-240
Rated Wattage (W)	9,0	9,0	9,0
Frequency (Hz)	50 / 60	50 / 60	50 / 60
Rated Input Current (mA)	49	49	49
Power Factor	0,80	0,80	0,80
Luminous Flux(lm)	(365)	(347)	(362)
Colour Description	Neutral White	Neutral White	Neutral White
Colour Temperature (K)	4000	4000	4000
Colour Rendering Index (Ra)	80	80	80
Beam Angle (°)	40	40	40
CBCP (cd)	513	-	452
Lamp Efficacy (lm / W)	(40,6)	(38,6)	(40,2)
Rated Lamp Lifetime (h)	40 000	40 000	40 000
Lumen Maintenance	70% at the rated lamp lifetime	70% at the rated lamp lifetime	70% at the rated lamp lifetime
Number of Switching Cycle	over 20000 times	over 20000 times	over 20000 times
Dimming	Dimmable*	Dimmable*	Dimmable*
Cap	E27	E27	E27



LEDEUD00015S27



LEDEUD00015S40



LOGISTICS

1. Logistic data

Product code	EAN Code	Description	Size of Packaging (L * H * W) (mm)	Gross weight (g)
LEDEUD00015S27	4974550438261	Pack Accent PAR20- 2700K 40° White	135 x 137 x 199	530
LEDEUD00015S40	4974550433549	Pack Accent PAR20- 4000K 40° White	135 x 137 x 199	530
LEDEUD00016S27	4974550438278	Pack Accent PAR20- 2700K 40° Silver	135 x 137 x 199	530
LEDEUD00016S40	4974550433563	Pack Accent PAR20- 4000K 40° Silver	135 x 137 x 199	530
LEDEUD00017S27	4974550438285	Pack Accent PAR20- 2700K 40° Black	135 x 137 x 199	530
LEDEUD00017S40	4974550433570	Pack Accent PAR20- 4000K 40° Black	135 x 137 x 199	530

2. Packaging content

- Fixture and LED lamp
- Instruction sheet



B. IMPORTANT NOTES

None