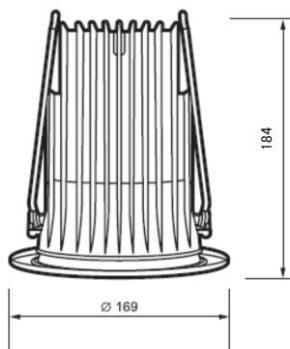


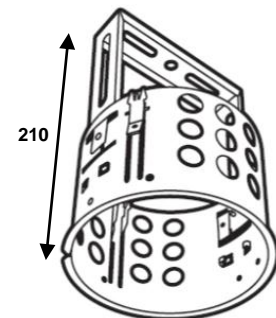
A. TECHNICAL INFORMATION

1. Housing

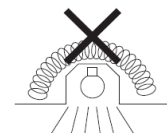
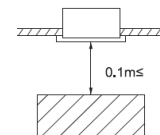
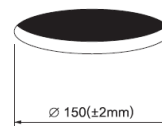
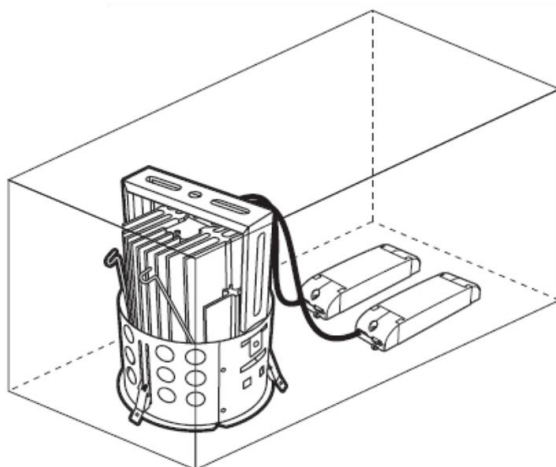
Product code	LEDEUD00038D30	LEDEUD00038D40	LEDEUD00039D30	LEDEUD00039D40
Body	Aluminum			
Finishing	White			
Lighting outlet	1			
Type of installation	Recessed downlighting / Recessed hole \varnothing 150mm			
Net weight	2200 g without drivers / 2650 with drivers			
Electrical class	Class II			
IP rating	IP20			
LED module	Integrated			
Glow wire temp	850°C			
Approval Mark	CE			
Ambient temperature range	0°C / +35°C			



Downlight



Recessing kit



2. Electrical features / Control

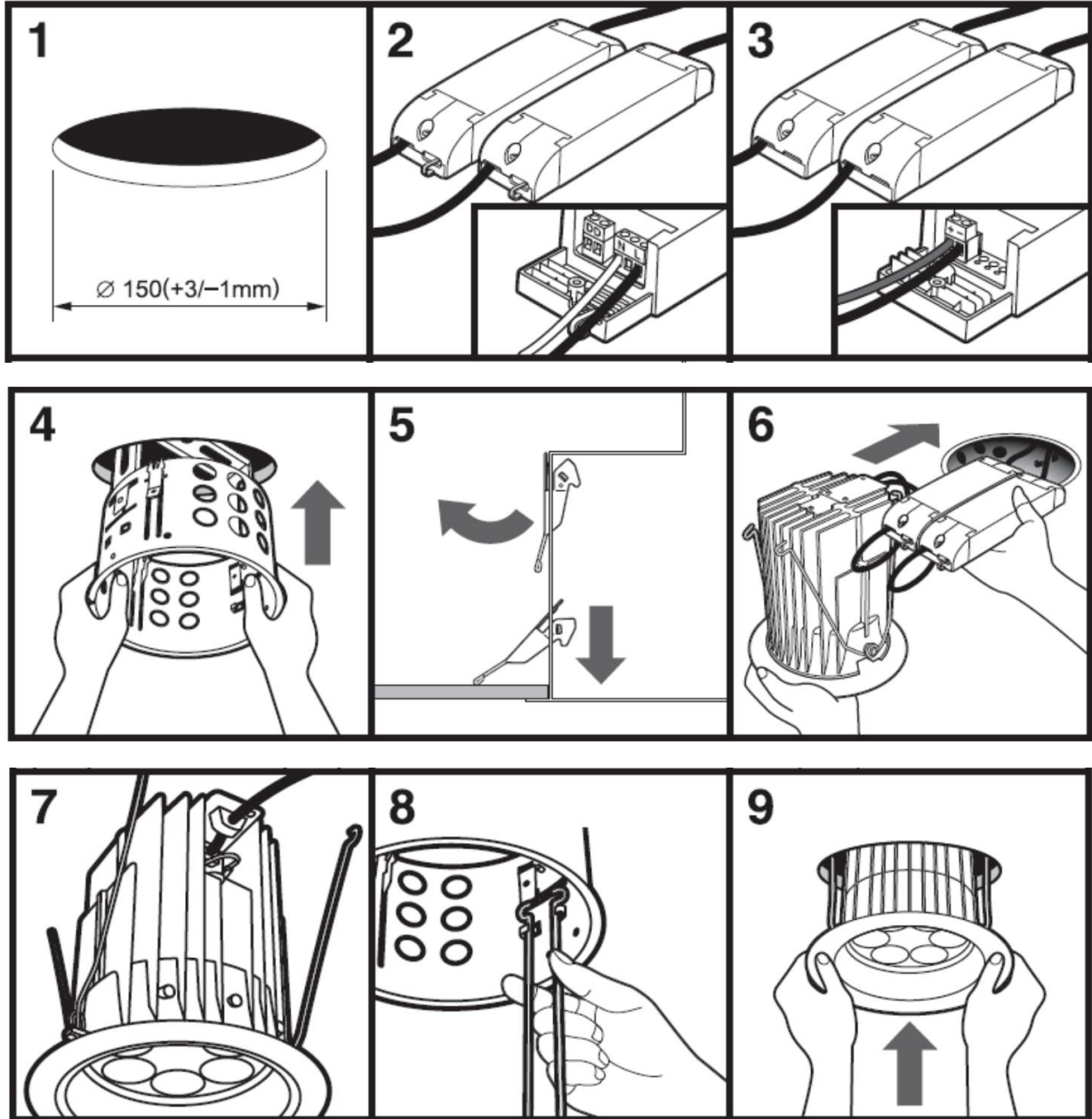
Product code (fixture)	LEDEUD00038D30	LEDEUD00038D40	LEDEUD00039D30	LEDEUD00039D40
Product code (driver)	LEK-50001CA01O (TOSHIBA DALI driver) * 2			
Rated Voltage (V)	220-240 AC			
Frequency (Hz)	50 / 60			
Wattage (W)	92W	92W	92W	92W
Input Current (A)	0,430	0,430	0,430	0,430
Power Factor	0.95			
Dimming	Yes, DALI			
Connection	2 * (0,75 – 1,5) mm ²			

3. Photometric features

Product code	LEDEUD00038D30	LEDEUD00038D40	LEDEUD00039D30	LEDEUD00039D40
Beam angle	75°		65°	
Ra	80			
Colour Temperature	3000K	4000K	3000K	4000K
System lumen output	5060 lm	5325 lm	5515 lm	5805 lm
Lifetime (h)	50 000h (L70)			

	LUMINOUS INTENSITY (cd/klm)	ILLUMINANCE																												
LEDEUD00038D30		<table border="1"> <thead> <tr> <th>h (m)</th> <th>Ø (m)</th> <th>E(0°) E(C0)</th> <th>lux</th> </tr> </thead> <tbody> <tr> <td>0.5</td> <td>0.73</td> <td>36.3°</td> <td>12778 3358</td> </tr> <tr> <td>1.0</td> <td>1.47</td> <td>36.3°</td> <td>3195 840</td> </tr> <tr> <td>1.5</td> <td>2.20</td> <td>36.3°</td> <td>1420 373</td> </tr> <tr> <td>2.0</td> <td>2.94</td> <td>36.3°</td> <td>799 210</td> </tr> <tr> <td>2.5</td> <td>3.67</td> <td>36.3°</td> <td>511 134</td> </tr> <tr> <td>3.0</td> <td>4.41</td> <td>36.3°</td> <td>355 93</td> </tr> </tbody> </table>	h (m)	Ø (m)	E(0°) E(C0)	lux	0.5	0.73	36.3°	12778 3358	1.0	1.47	36.3°	3195 840	1.5	2.20	36.3°	1420 373	2.0	2.94	36.3°	799 210	2.5	3.67	36.3°	511 134	3.0	4.41	36.3°	355 93
h (m)	Ø (m)	E(0°) E(C0)	lux																											
0.5	0.73	36.3°	12778 3358																											
1.0	1.47	36.3°	3195 840																											
1.5	2.20	36.3°	1420 373																											
2.0	2.94	36.3°	799 210																											
2.5	3.67	36.3°	511 134																											
3.0	4.41	36.3°	355 93																											
LEDEUD00038D40		<table border="1"> <thead> <tr> <th>h (m)</th> <th>Ø (m)</th> <th>E(0°) E(C0)</th> <th>lux</th> </tr> </thead> <tbody> <tr> <td>0.5</td> <td>0.73</td> <td>36.3°</td> <td>13447 3534</td> </tr> <tr> <td>1.0</td> <td>1.47</td> <td>36.3°</td> <td>3362 883</td> </tr> <tr> <td>1.5</td> <td>2.20</td> <td>36.3°</td> <td>1494 393</td> </tr> <tr> <td>2.0</td> <td>2.94</td> <td>36.3°</td> <td>840 221</td> </tr> <tr> <td>2.5</td> <td>3.67</td> <td>36.3°</td> <td>538 141</td> </tr> <tr> <td>3.0</td> <td>4.41</td> <td>36.3°</td> <td>374 98</td> </tr> </tbody> </table>	h (m)	Ø (m)	E(0°) E(C0)	lux	0.5	0.73	36.3°	13447 3534	1.0	1.47	36.3°	3362 883	1.5	2.20	36.3°	1494 393	2.0	2.94	36.3°	840 221	2.5	3.67	36.3°	538 141	3.0	4.41	36.3°	374 98
h (m)	Ø (m)	E(0°) E(C0)	lux																											
0.5	0.73	36.3°	13447 3534																											
1.0	1.47	36.3°	3362 883																											
1.5	2.20	36.3°	1494 393																											
2.0	2.94	36.3°	840 221																											
2.5	3.67	36.3°	538 141																											
3.0	4.41	36.3°	374 98																											
LEDEUD00039D30		<table border="1"> <thead> <tr> <th>h (m)</th> <th>Ø (m)</th> <th>E(0°) E(C0)</th> <th>lux</th> </tr> </thead> <tbody> <tr> <td>0.5</td> <td>0.65</td> <td>33.2°</td> <td>16833 4944</td> </tr> <tr> <td>1.0</td> <td>1.31</td> <td>33.2°</td> <td>4208 1236</td> </tr> <tr> <td>1.5</td> <td>1.96</td> <td>33.2°</td> <td>1870 549</td> </tr> <tr> <td>2.0</td> <td>2.62</td> <td>33.2°</td> <td>1052 309</td> </tr> <tr> <td>2.5</td> <td>3.27</td> <td>33.2°</td> <td>673 198</td> </tr> <tr> <td>3.0</td> <td>3.93</td> <td>33.2°</td> <td>468 137</td> </tr> </tbody> </table>	h (m)	Ø (m)	E(0°) E(C0)	lux	0.5	0.65	33.2°	16833 4944	1.0	1.31	33.2°	4208 1236	1.5	1.96	33.2°	1870 549	2.0	2.62	33.2°	1052 309	2.5	3.27	33.2°	673 198	3.0	3.93	33.2°	468 137
h (m)	Ø (m)	E(0°) E(C0)	lux																											
0.5	0.65	33.2°	16833 4944																											
1.0	1.31	33.2°	4208 1236																											
1.5	1.96	33.2°	1870 549																											
2.0	2.62	33.2°	1052 309																											
2.5	3.27	33.2°	673 198																											
3.0	3.93	33.2°	468 137																											
LEDEUD00039D40		<table border="1"> <thead> <tr> <th>h (m)</th> <th>Ø (m)</th> <th>E(0°) E(C0)</th> <th>lux</th> </tr> </thead> <tbody> <tr> <td>0.5</td> <td>0.65</td> <td>33.2°</td> <td>17720 5205</td> </tr> <tr> <td>1.0</td> <td>1.31</td> <td>33.2°</td> <td>4430 1301</td> </tr> <tr> <td>1.5</td> <td>1.96</td> <td>33.2°</td> <td>1969 578</td> </tr> <tr> <td>2.0</td> <td>2.62</td> <td>33.2°</td> <td>1107 325</td> </tr> <tr> <td>2.5</td> <td>3.27</td> <td>33.2°</td> <td>709 208</td> </tr> <tr> <td>3.0</td> <td>3.93</td> <td>33.2°</td> <td>492 145</td> </tr> </tbody> </table>	h (m)	Ø (m)	E(0°) E(C0)	lux	0.5	0.65	33.2°	17720 5205	1.0	1.31	33.2°	4430 1301	1.5	1.96	33.2°	1969 578	2.0	2.62	33.2°	1107 325	2.5	3.27	33.2°	709 208	3.0	3.93	33.2°	492 145
h (m)	Ø (m)	E(0°) E(C0)	lux																											
0.5	0.65	33.2°	17720 5205																											
1.0	1.31	33.2°	4430 1301																											
1.5	1.96	33.2°	1969 578																											
2.0	2.62	33.2°	1107 325																											
2.5	3.27	33.2°	709 208																											
3.0	3.93	33.2°	492 145																											

4. Installation



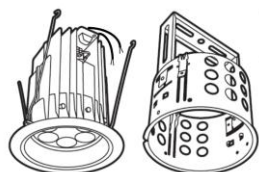
B. LOGISTICS

1. Logistic data

Product code	EAN Code	Description	Size of Packaging (L * H * W) (mm)	Gross weight (g)
LEDEUD00038D30	4974550438223	Downlight LED 92W 3000K / 75°	246 * 246 * 251	2700
LEDEUD00038D40	4974550438247	Downlight LED 92W 4000K / 75°	246 * 246 * 251	2700
LEDEUD00039D30	4974550438230	Downlight LED 92W 3000K / 65°	246 * 246 * 251	2700
LEDEUD00039D40	4974550438254	Downlight LED 92W 4000K / 65°	246 * 246 * 251	2700
LEK-50001CA01O	4974550438216	TOSHIBA DALI driver	212 * 34 * 50	240

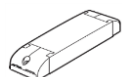
2. Packaging content

→ LEDEUD00038D30, LEDEUD00038D40, LEDEUD00039D30, LEDEUD00039D40



- LED fixture
- Recessing kit
- Instruction sheet

→ LEK-50001CA01O



- DALI dimmable driver for E-Core LED Downlight 3000 and 6000
- Instruction sheet

C. IMPORTANT NOTE

- The power supply unit LEK-50001CA01O (TOSHIBA DALI driver) for E-Core LED Downlight 6000 is supplied by separated order.
- The complete system E-Core LED Downlight 6000 is composed by:
 - LED Downlight LEDEUD00038D30 / LEDEUD00038D40 / LEDEUD00039D30 / LEDEUD00039D40
 - 2 * TOSHIBA DALI driver LEK-50001CA01O