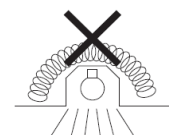
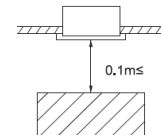
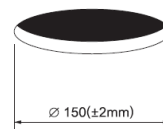
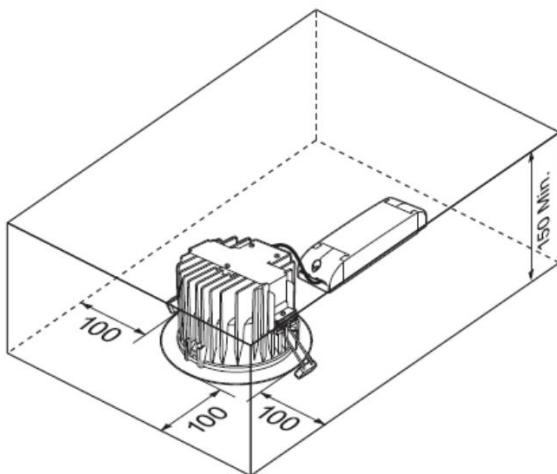
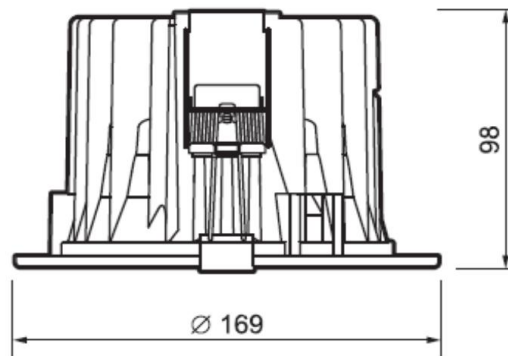


A. TECHNICAL INFORMATION

1. Housing / Mounting

Product code	LEDEUD00027D30	LEDEUD00027D40	LEDEUD00029D30	LEDEUD00029D40
Body	Aluminum			
Finishing	White			
Lighting outlet	1			
Type of installation	Recessed downlighting / Recessed hole \varnothing 150mm			
Net weight	1300 g without drivers / 1525 g with driver to be ordered separately			
Electrical class	Class II			
IP rating	IP20			
LED module	Integrated			
Glow wire temp	850°C			
Approval Mark	CE			
Ambien temperature range	0°C / +35°C			



2. Electrical features / Control

Product code (fixture)	LEDEUD00027D30	LEDEUD00027D40	LEDEUD00029D30	LEDEUD00029D40
Product code (driver)	LEK-50001CA01O (TOSHIBA DALI driver)			
Rated Voltage (V)	220-240 AC			
Frequency (Hz)	50 / 60			
Wattage (W)	46W	46W	46W	46W
Input Current (A)	0,215	0,215	0,215	0,215
Power Factor	0.96			
Dimming	Yes, DALI			
Connection	2 * (0,75 - 1,5) mm ²			

3. Photometric features

Product code	LEDEUD00027D30	LEDEUD00027D40	LEDEUD00029D30	LEDEUD00029D40
Beam angle	76°		55°	
Ra	80			
UGR	28		25	
Colour Temperature	3000K	4000K	3000K	4000K
System lumen output	2535 lm	2665 lm	2675 lm	2815 lm
Lifetime (h)	50 000h (L70)			

	LUMINOUS INTENSITY (cd/klm)	ILLUMINANCE																																			
LEDEUD00027D30		<table border="1"> <thead> <tr> <th>h (m)</th> <th>Ø (m)</th> <th>E(0°) E(C0)</th> <th>38.0°</th> <th>lux</th> </tr> </thead> <tbody> <tr> <td>0.5</td> <td>0.78</td> <td>6133</td> <td>1506</td> <td></td> </tr> <tr> <td>1.0</td> <td>1.56</td> <td>1533</td> <td>377</td> <td></td> </tr> <tr> <td>1.5</td> <td>2.34</td> <td>681</td> <td>167</td> <td></td> </tr> <tr> <td>2.0</td> <td>3.13</td> <td>383</td> <td>94</td> <td></td> </tr> <tr> <td>2.5</td> <td>3.91</td> <td>245</td> <td>60</td> <td></td> </tr> <tr> <td>3.0</td> <td>4.69</td> <td>170</td> <td>42</td> <td></td> </tr> </tbody> </table>	h (m)	Ø (m)	E(0°) E(C0)	38.0°	lux	0.5	0.78	6133	1506		1.0	1.56	1533	377		1.5	2.34	681	167		2.0	3.13	383	94		2.5	3.91	245	60		3.0	4.69	170	42	
h (m)	Ø (m)	E(0°) E(C0)	38.0°	lux																																	
0.5	0.78	6133	1506																																		
1.0	1.56	1533	377																																		
1.5	2.34	681	167																																		
2.0	3.13	383	94																																		
2.5	3.91	245	60																																		
3.0	4.69	170	42																																		
LEDEUD00027D40		<table border="1"> <thead> <tr> <th>h (m)</th> <th>Ø (m)</th> <th>E(0°) E(C0)</th> <th>38.0°</th> <th>lux</th> </tr> </thead> <tbody> <tr> <td>0.5</td> <td>0.78</td> <td>6448</td> <td>1583</td> <td></td> </tr> <tr> <td>1.0</td> <td>1.56</td> <td>1612</td> <td>396</td> <td></td> </tr> <tr> <td>1.5</td> <td>2.34</td> <td>716</td> <td>176</td> <td></td> </tr> <tr> <td>2.0</td> <td>3.13</td> <td>403</td> <td>99</td> <td></td> </tr> <tr> <td>2.5</td> <td>3.91</td> <td>258</td> <td>63</td> <td></td> </tr> <tr> <td>3.0</td> <td>4.69</td> <td>179</td> <td>44</td> <td></td> </tr> </tbody> </table>	h (m)	Ø (m)	E(0°) E(C0)	38.0°	lux	0.5	0.78	6448	1583		1.0	1.56	1612	396		1.5	2.34	716	176		2.0	3.13	403	99		2.5	3.91	258	63		3.0	4.69	179	44	
h (m)	Ø (m)	E(0°) E(C0)	38.0°	lux																																	
0.5	0.78	6448	1583																																		
1.0	1.56	1612	396																																		
1.5	2.34	716	176																																		
2.0	3.13	403	99																																		
2.5	3.91	258	63																																		
3.0	4.69	179	44																																		
LEDEUD00029D30		<table border="1"> <thead> <tr> <th>h (m)</th> <th>Ø (m)</th> <th>E(0°) E(C0)</th> <th>27.7°</th> <th>lux</th> </tr> </thead> <tbody> <tr> <td>0.5</td> <td>0.53</td> <td>10339</td> <td>3605</td> <td></td> </tr> <tr> <td>1.0</td> <td>1.05</td> <td>2585</td> <td>901</td> <td></td> </tr> <tr> <td>1.5</td> <td>1.58</td> <td>1149</td> <td>401</td> <td></td> </tr> <tr> <td>2.0</td> <td>2.10</td> <td>646</td> <td>225</td> <td></td> </tr> <tr> <td>2.5</td> <td>2.63</td> <td>414</td> <td>144</td> <td></td> </tr> <tr> <td>3.0</td> <td>3.15</td> <td>287</td> <td>100</td> <td></td> </tr> </tbody> </table>	h (m)	Ø (m)	E(0°) E(C0)	27.7°	lux	0.5	0.53	10339	3605		1.0	1.05	2585	901		1.5	1.58	1149	401		2.0	2.10	646	225		2.5	2.63	414	144		3.0	3.15	287	100	
h (m)	Ø (m)	E(0°) E(C0)	27.7°	lux																																	
0.5	0.53	10339	3605																																		
1.0	1.05	2585	901																																		
1.5	1.58	1149	401																																		
2.0	2.10	646	225																																		
2.5	2.63	414	144																																		
3.0	3.15	287	100																																		
LEDEUD00029D40		<table border="1"> <thead> <tr> <th>h (m)</th> <th>Ø (m)</th> <th>E(0°) E(C0)</th> <th>27.7°</th> <th>lux</th> </tr> </thead> <tbody> <tr> <td>0.5</td> <td>0.53</td> <td>10680</td> <td>3793</td> <td></td> </tr> <tr> <td>1.0</td> <td>1.05</td> <td>2720</td> <td>948</td> <td></td> </tr> <tr> <td>1.5</td> <td>1.58</td> <td>1209</td> <td>421</td> <td></td> </tr> <tr> <td>2.0</td> <td>2.10</td> <td>680</td> <td>237</td> <td></td> </tr> <tr> <td>2.5</td> <td>2.63</td> <td>435</td> <td>152</td> <td></td> </tr> <tr> <td>3.0</td> <td>3.15</td> <td>302</td> <td>105</td> <td></td> </tr> </tbody> </table>	h (m)	Ø (m)	E(0°) E(C0)	27.7°	lux	0.5	0.53	10680	3793		1.0	1.05	2720	948		1.5	1.58	1209	421		2.0	2.10	680	237		2.5	2.63	435	152		3.0	3.15	302	105	
h (m)	Ø (m)	E(0°) E(C0)	27.7°	lux																																	
0.5	0.53	10680	3793																																		
1.0	1.05	2720	948																																		
1.5	1.58	1209	421																																		
2.0	2.10	680	237																																		
2.5	2.63	435	152																																		
3.0	3.15	302	105																																		

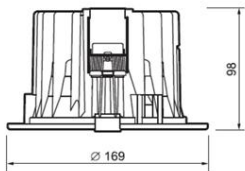
B. LOGISTICS

1. Logistic data

Product code	EAN Code	Description	Size of Packaging (L * H * W) (mm)	Gross weight (g)
LEDEUD0027D30	4974550438094	Downlight LED 46W 3000K / 76°	240 * 210 * 130	1600
LEDEUD00027D40	4974550438117	Downlight LED 46W 4000K / 76°	240 * 210 * 130	1600
LEDEUD00029D30	4974550438100	Downlight LED 46W 3000K / 55°	240 * 210 * 130	1600
LEDEUD00029D40	4974550438124	Downlight LED 46W 4000K / 55°	240 * 210 * 130	1600
LEK-50001CA01O	4974550438216	TOSHIBA DALI driver	212 * 34 * 50	240

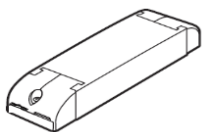
2. Packaging content

-> LEDEUD00027D30, LEDEUD00027D40, LEDEUD00029D30, LEDEUD00029D40



- LED fixture
- Instruction sheet

-> LEK-50001CA01O (by separated order)



- DALI dimmable driver for E-Core LED Downlight 3000 and 6000
- Instruction sheet

C. IMPORTANT NOTE

- The power supply unit LEK-50001CA01O (TOSHIBA DALI driver) for E-Core LED Downlight 3000 is supplied by separated order.
- The complete system E-Core LED Downlight 3000 is composed by:
 - LED Downlight LEDEUD00027D30 / LEDEUD00027D40 / LEDEUD00029D30 / LEDEUD00029D40
 - 1 * TOSHIBA DALI driver LEK-50001CA01O