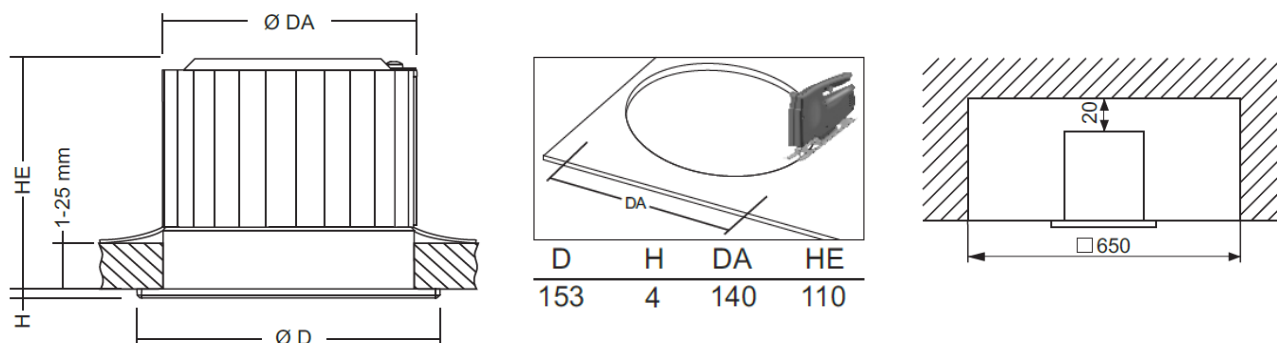


A. TECHNICAL INFORMATION

1. Housing / Mounting

Product code	LEDEUD00049S30	LEDEUD00049S40	LEDEUD00050S40
Body	Aluminum body / ADC frame / White-painted reflector		
Finishing	White		
Lighting outlet	1		
Type of installation	Recessed downlighting / Recessed hole Ø 140mm		
Net weight	1625 g		
Electrical class	Class I		
IP rating	IP20		
LED module	Replaceable		
Glow wire temp	850°C		
Approval Mark	CE / F		
Ambient temperature range	0°C / +35°C		



2. Electrical features / Control

Product code	LEDEUD00049S30	LEDEUD00049S40	LEDEUD00050S40
Rated Voltage (V)	220-240 AC		
Frequency (Hz)	50 / 60		
Wattage (W)	18	18	23
Input Current (A)	0,095	0,090	0,109
Power Factor	0.7		
Dimming	Yes, Phase Control (trailing-edge) via power line		
Connection	3 * (0,75 - 2,5) mm ²		

3. Optical features

Product code	LEDEUD00049S30	LEDEUD00049S40	LEDEUD00050S40
Beam angle	72°		
Ra	80		
UGR	see C.		
Colour Temperature	3000K	4000K	4000K
Photometric class			
System lumen output	930 lm	930 lm	1340 lm
Lifetime (h)	40 000h		

	LUMINOUS INTENSITY (cd/klm)	ILLUMINANCE																					
LEDEUD00049S30		<table border="1"> <thead> <tr> <th>h (m)</th> <th>Ø (m)</th> <th>lux</th> </tr> </thead> <tbody> <tr> <td>0.5</td> <td>0.74</td> <td>E(0°) 2654 E(C0) 36.4° 713</td> </tr> <tr> <td>1.0</td> <td>1.47</td> <td>E(0°) 664 E(C0) 36.4° 178</td> </tr> <tr> <td>1.5</td> <td>2.21</td> <td>E(0°) 295 E(C0) 36.4° 79</td> </tr> <tr> <td>2.0</td> <td>2.95</td> <td>E(0°) 166 E(C0) 36.4° 45</td> </tr> <tr> <td>2.5</td> <td>3.69</td> <td>E(0°) 106 E(C0) 36.4° 29</td> </tr> <tr> <td>3.0</td> <td>4.42</td> <td>E(0°) 74 E(C0) 36.4° 20</td> </tr> </tbody> </table>	h (m)	Ø (m)	lux	0.5	0.74	E(0°) 2654 E(C0) 36.4° 713	1.0	1.47	E(0°) 664 E(C0) 36.4° 178	1.5	2.21	E(0°) 295 E(C0) 36.4° 79	2.0	2.95	E(0°) 166 E(C0) 36.4° 45	2.5	3.69	E(0°) 106 E(C0) 36.4° 29	3.0	4.42	E(0°) 74 E(C0) 36.4° 20
h (m)	Ø (m)	lux																					
0.5	0.74	E(0°) 2654 E(C0) 36.4° 713																					
1.0	1.47	E(0°) 664 E(C0) 36.4° 178																					
1.5	2.21	E(0°) 295 E(C0) 36.4° 79																					
2.0	2.95	E(0°) 166 E(C0) 36.4° 45																					
2.5	3.69	E(0°) 106 E(C0) 36.4° 29																					
3.0	4.42	E(0°) 74 E(C0) 36.4° 20																					
LEDEUD00049S40		<table border="1"> <thead> <tr> <th>h (m)</th> <th>Ø (m)</th> <th>lux</th> </tr> </thead> <tbody> <tr> <td>0.5</td> <td>0.74</td> <td>E(0°) 2654 E(C0) 36.4° 713</td> </tr> <tr> <td>1.0</td> <td>1.47</td> <td>E(0°) 664 E(C0) 36.4° 178</td> </tr> <tr> <td>1.5</td> <td>2.21</td> <td>E(0°) 295 E(C0) 36.4° 79</td> </tr> <tr> <td>2.0</td> <td>2.95</td> <td>E(0°) 166 E(C0) 36.4° 45</td> </tr> <tr> <td>2.5</td> <td>3.69</td> <td>E(0°) 106 E(C0) 36.4° 29</td> </tr> <tr> <td>3.0</td> <td>4.42</td> <td>E(0°) 74 E(C0) 36.4° 20</td> </tr> </tbody> </table>	h (m)	Ø (m)	lux	0.5	0.74	E(0°) 2654 E(C0) 36.4° 713	1.0	1.47	E(0°) 664 E(C0) 36.4° 178	1.5	2.21	E(0°) 295 E(C0) 36.4° 79	2.0	2.95	E(0°) 166 E(C0) 36.4° 45	2.5	3.69	E(0°) 106 E(C0) 36.4° 29	3.0	4.42	E(0°) 74 E(C0) 36.4° 20
h (m)	Ø (m)	lux																					
0.5	0.74	E(0°) 2654 E(C0) 36.4° 713																					
1.0	1.47	E(0°) 664 E(C0) 36.4° 178																					
1.5	2.21	E(0°) 295 E(C0) 36.4° 79																					
2.0	2.95	E(0°) 166 E(C0) 36.4° 45																					
2.5	3.69	E(0°) 106 E(C0) 36.4° 29																					
3.0	4.42	E(0°) 74 E(C0) 36.4° 20																					
LEDEUD00050S40		<table border="1"> <thead> <tr> <th>h (m)</th> <th>Ø (m)</th> <th>lux</th> </tr> </thead> <tbody> <tr> <td>0.5</td> <td>0.73</td> <td>E(0°) 4163 E(C0) 36.2° 1099</td> </tr> <tr> <td>1.0</td> <td>1.46</td> <td>E(0°) 1041 E(C0) 36.2° 275</td> </tr> <tr> <td>1.5</td> <td>2.20</td> <td>E(0°) 463 E(C0) 36.2° 122</td> </tr> <tr> <td>2.0</td> <td>2.93</td> <td>E(0°) 260 E(C0) 36.2° 69</td> </tr> <tr> <td>2.5</td> <td>3.66</td> <td>E(0°) 167 E(C0) 36.2° 44</td> </tr> <tr> <td>3.0</td> <td>4.39</td> <td>E(0°) 116 E(C0) 36.2° 31</td> </tr> </tbody> </table>	h (m)	Ø (m)	lux	0.5	0.73	E(0°) 4163 E(C0) 36.2° 1099	1.0	1.46	E(0°) 1041 E(C0) 36.2° 275	1.5	2.20	E(0°) 463 E(C0) 36.2° 122	2.0	2.93	E(0°) 260 E(C0) 36.2° 69	2.5	3.66	E(0°) 167 E(C0) 36.2° 44	3.0	4.39	E(0°) 116 E(C0) 36.2° 31
h (m)	Ø (m)	lux																					
0.5	0.73	E(0°) 4163 E(C0) 36.2° 1099																					
1.0	1.46	E(0°) 1041 E(C0) 36.2° 275																					
1.5	2.20	E(0°) 463 E(C0) 36.2° 122																					
2.0	2.93	E(0°) 260 E(C0) 36.2° 69																					
2.5	3.66	E(0°) 167 E(C0) 36.2° 44																					
3.0	4.39	E(0°) 116 E(C0) 36.2° 31																					

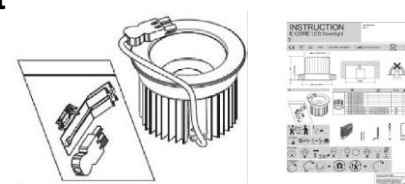
B. LOGISTICS

1. Logistic data

Product code	EAN Code	Description	Size of Packaging (L * H * W) (mm)	Gross weight (g)
LEDEUD00049S30	4974550437400	Downlight LED 18W / 3000K	180 * 145 *180	1800
LEDEUD00049S40	4974550437417	Downlight LED 18W / 4000K	180 * 145 *180	1800
LEDEUD00050S40	4974550437431	Downlight LED 23W / 4000K	180 * 145 *180	1800

2. Packaging content

- LED fixture
- Fixing system
- Instruction sheet



C. IMPORTANT NOTE

1. Customization

The E-core LED Downlight 1100 / 1600 can be customized according:

- Outer frame finishing : white, silver, black
- Glare : UGR16 / UGR19 / UGR22 / UGR25



Please contact your representative for further information.

2. Fixture w/o LED modules

Product code	EAN Code	Description	Size of Packaging (L * H * W) (mm)	Gross weight (g)
LEDEUD00006C	4974550428651	White frame/ Silver semi-specular reflector	180 * 145 *180	1600
LEDEUD00007C	4974550428675	White frame/ White-painted reflector	180 * 145 *180	1600
LEDEUD00008C	4974550428699	Silver frame/ Silver semi-specular reflector	180 * 145 *180	1600
LEDEUD00009C	4974550428705	Silver frame/ White-painted reflector	180 * 145 *180	1600
LEDEUD00010C	4974550428712	Black frame/ Silver semi-specular reflector	180 * 145 *180	1600
LEDEUD00011C	4974550428736	Black frame/ White-painted reflector	180 * 145 *180	1600

Please contact your representative for LED module spare-parts.